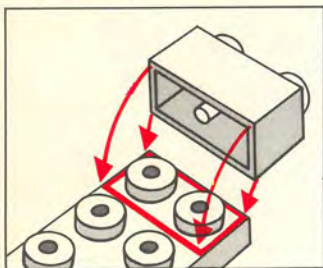
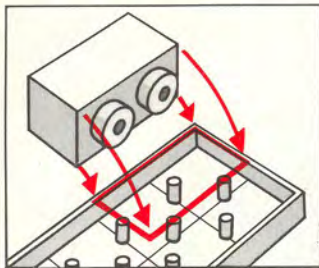




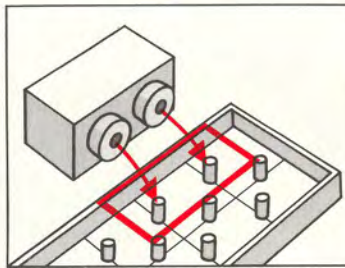
IMPORTANT: Before you start building, we suggest you follow the 4 drawings below and practice putting the pieces together the unique Tente way. Note the special 1/2 step features which makes building even more fun!



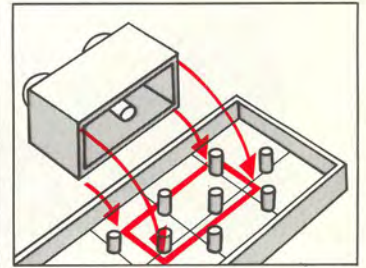
BOTTOM TO KNOBS



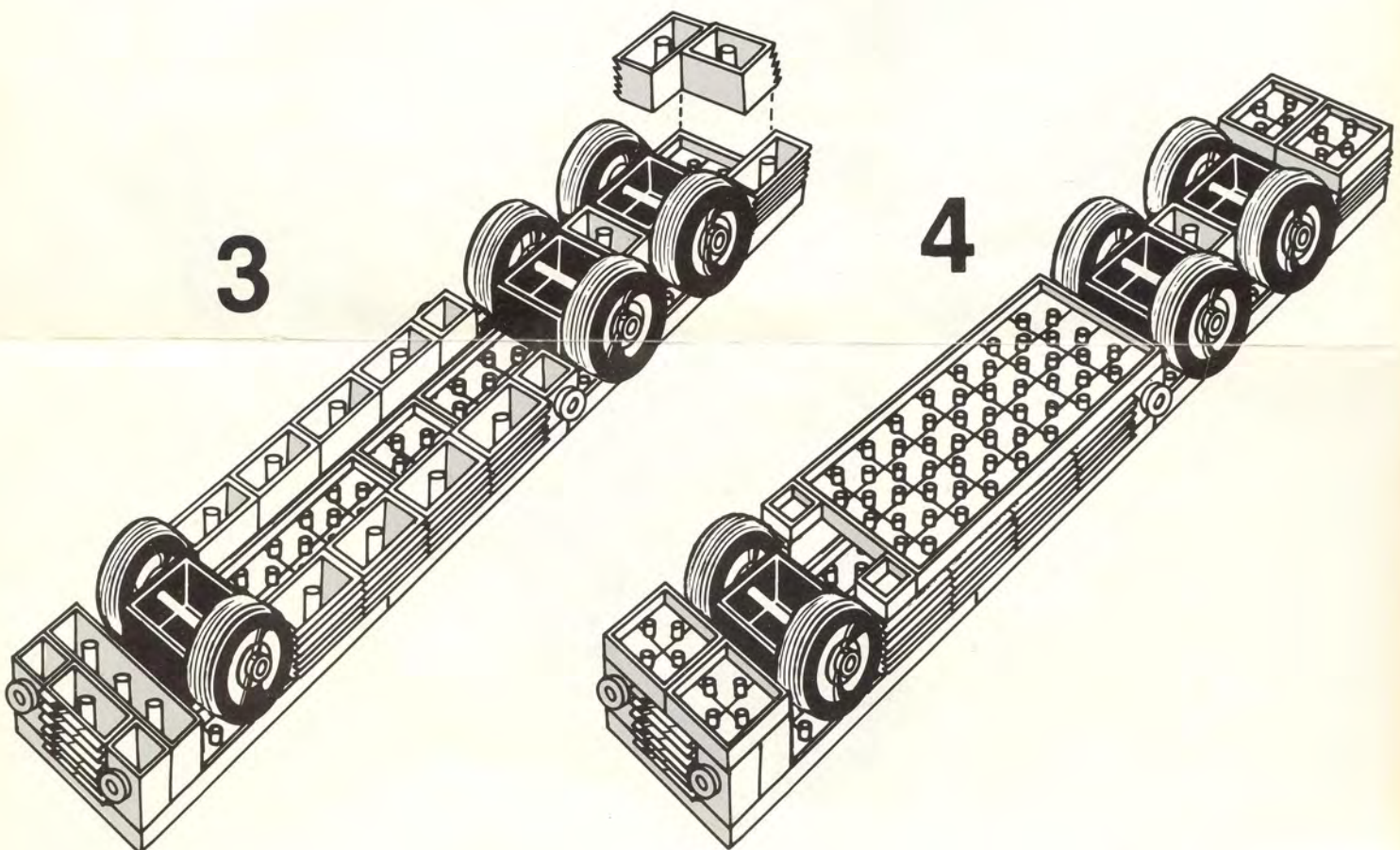
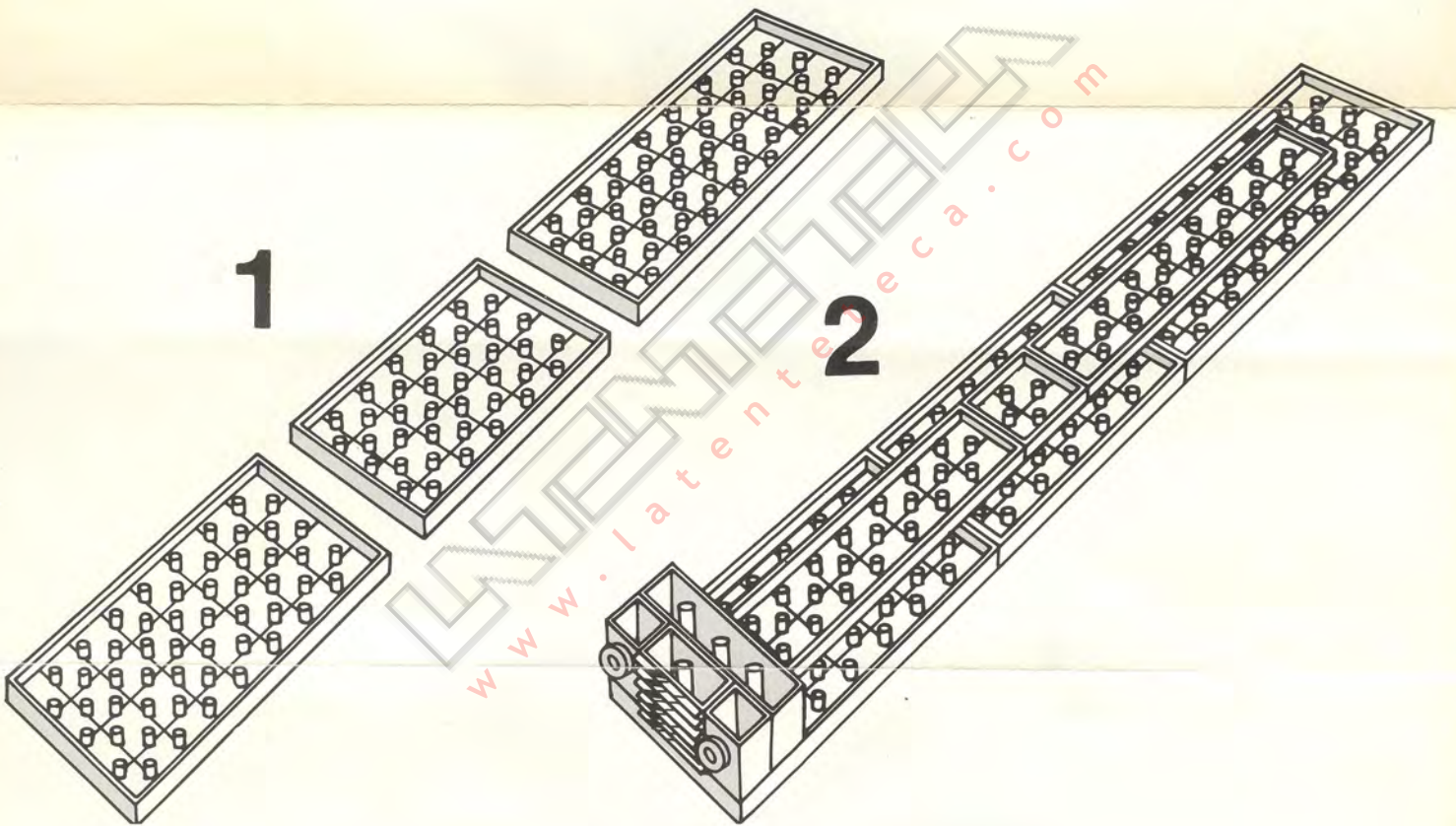
KNOBS TO BOTTOM

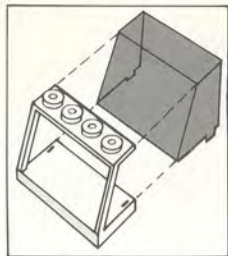


KNOBS TO PINS (1/2 STEP)

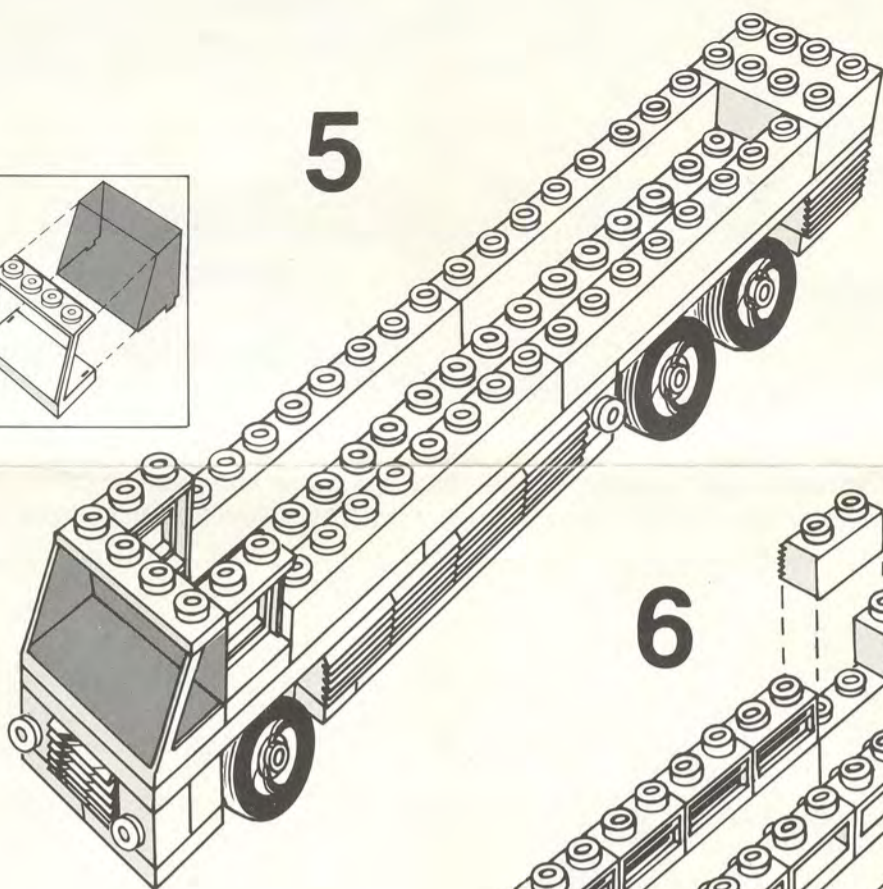


BOTTOM TO BOTTOM (1/2 STEP)

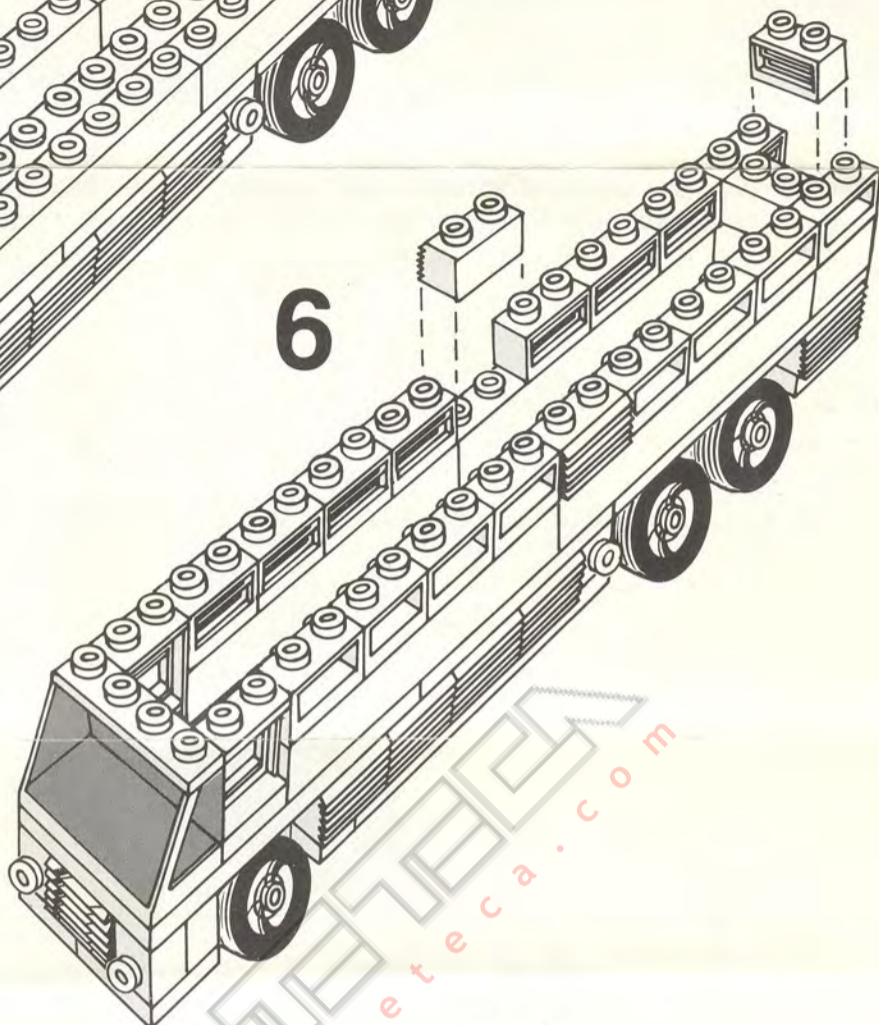




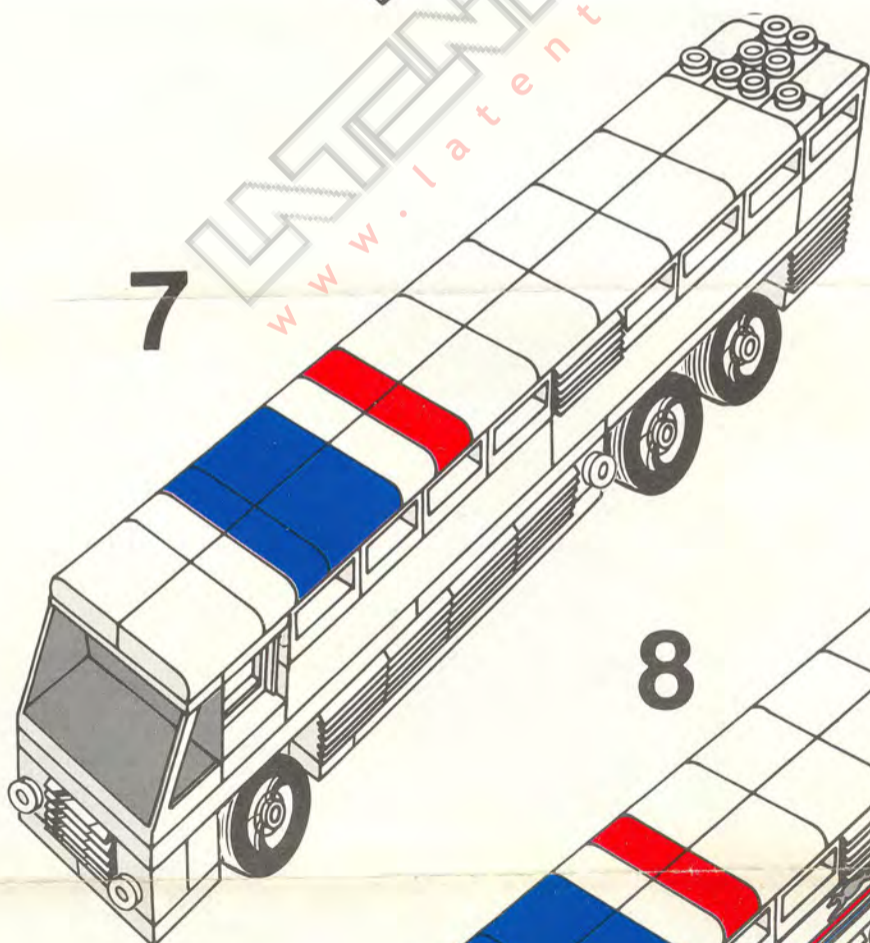
5



6



7



8

