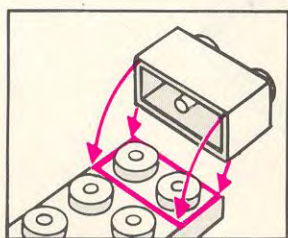
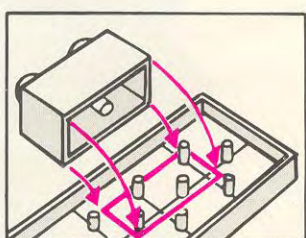




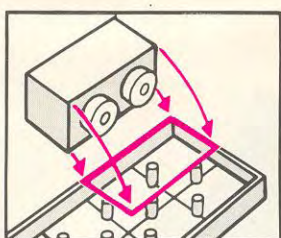
IMPORTANT: Before you start building, we suggest you follow the 4 drawings below and practice putting the pieces together the unique Tente way. Note the special 1/2 step features which makes building even more fun!



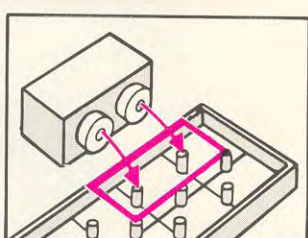
BOTTOM TO KNOBS



BOTTOM TO BOTTOM (1/2 STEP)

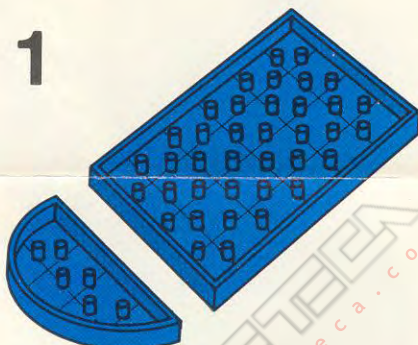


KNOBS TO BOTTOM

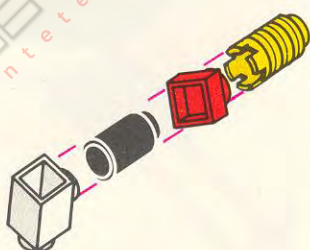


KNOBS TO PINS (1/2 STEP)

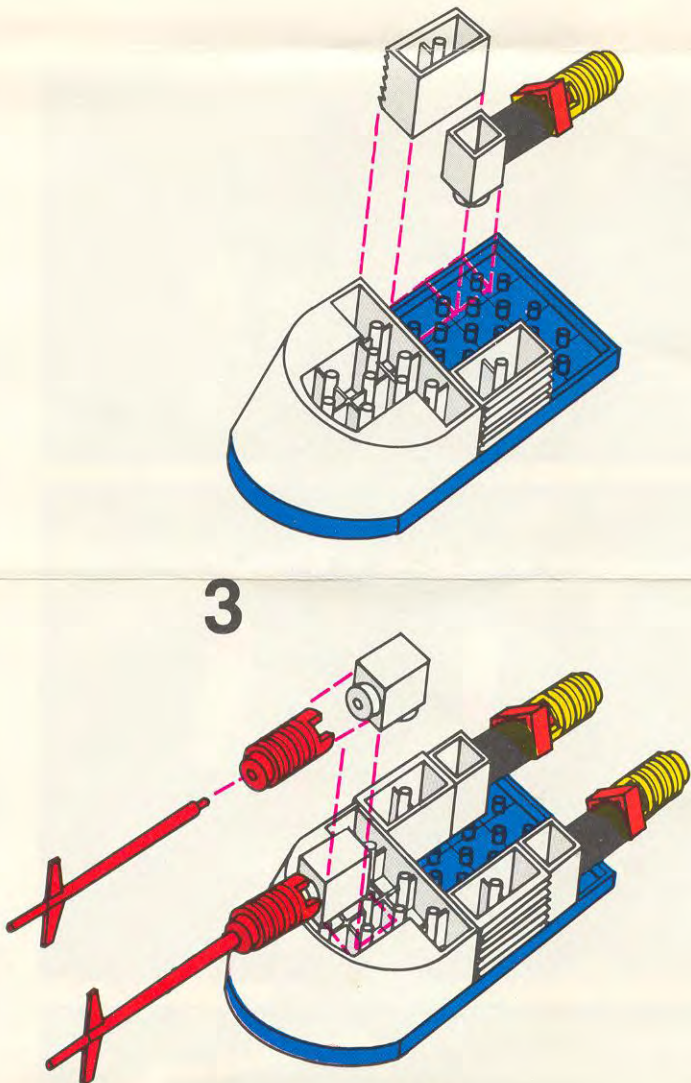
1



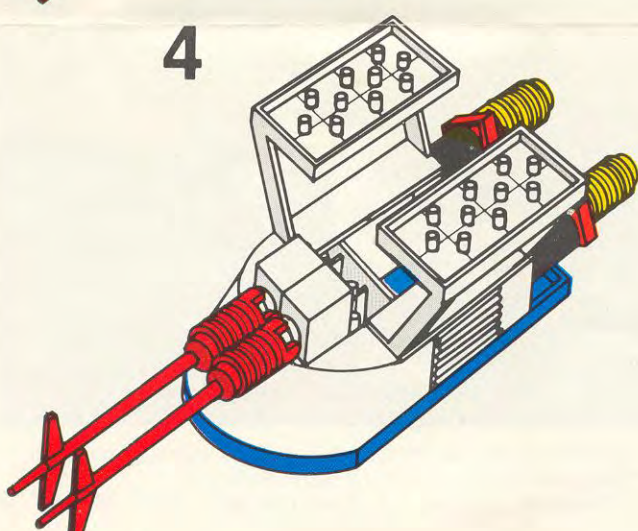
2



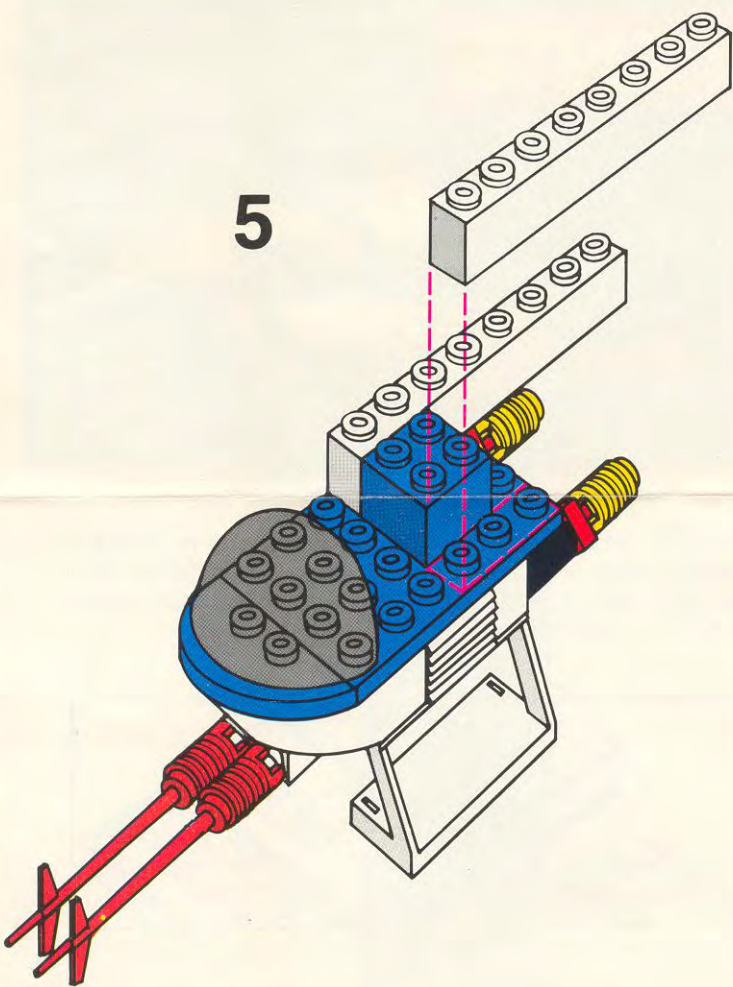
3



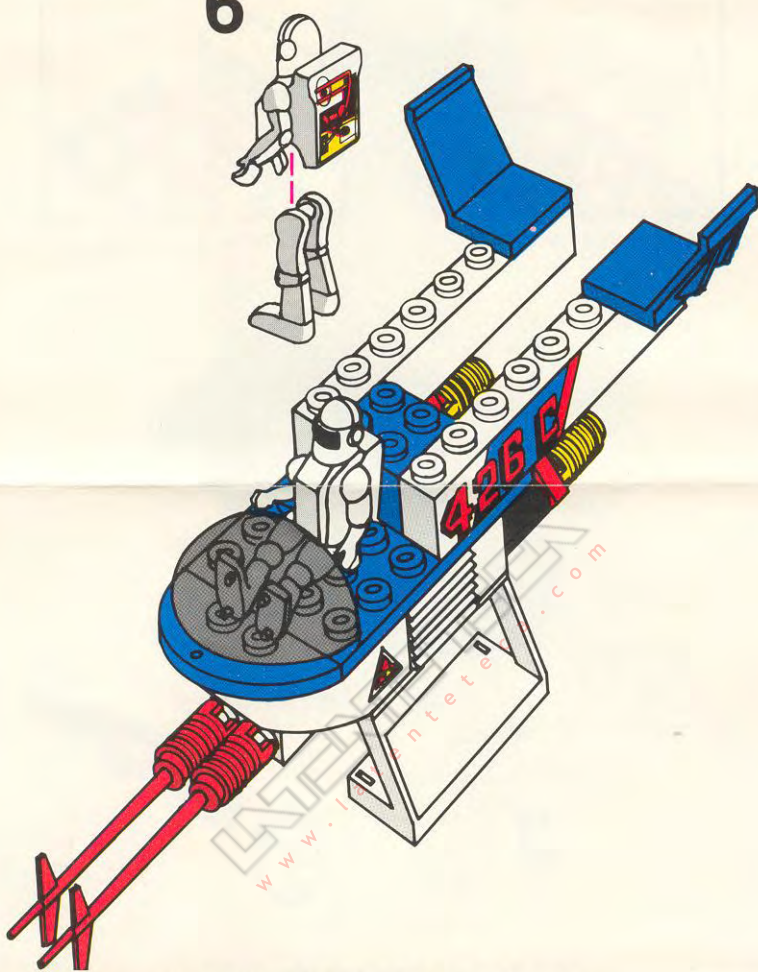
4



5



6



You Can Make These Too!

